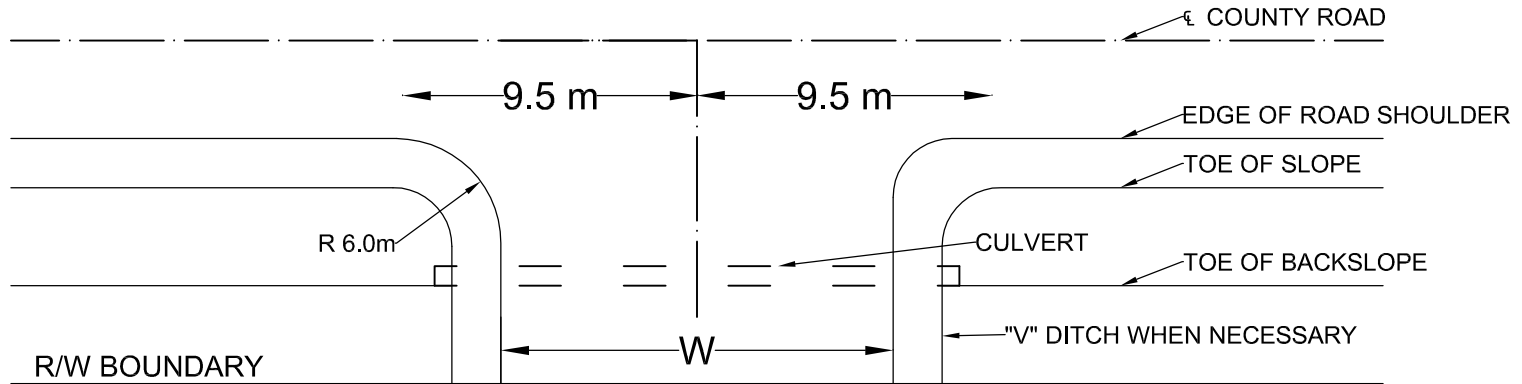
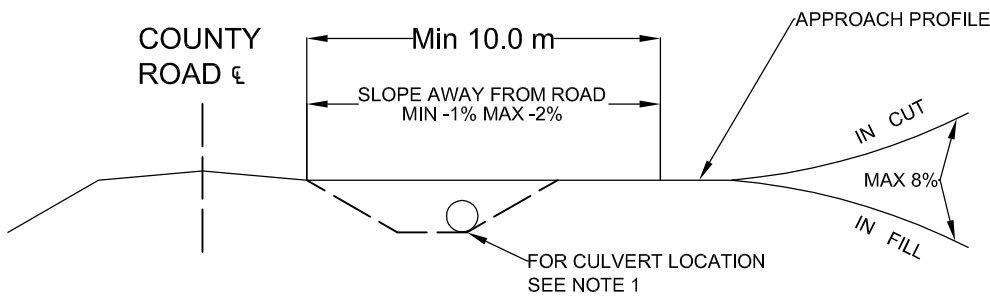


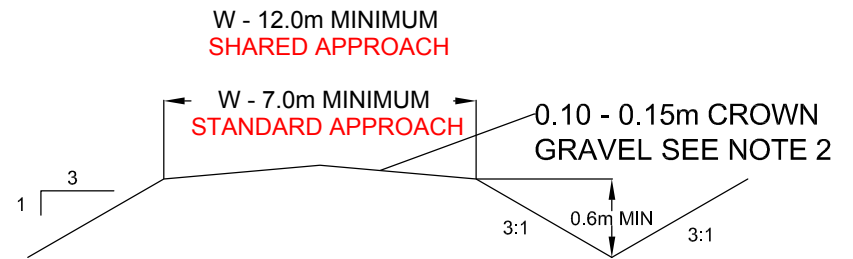
## APPROACH STANDARD (B3)



APPROACH PLAN



DITCH AND CULVERT LOCATION



APPROACH CROSS SECTION

### NOTES

- 1) When culverts are required for approaches, they must be corrugated steel pipe and be a minimum of 300mm diameter, no smaller than the direct upstream culvert
  - a) Length will vary with depth of fill
  - b) Culvert to be placed at toe of backslope
- 2) A minimum of 8 m<sup>3</sup> of maximum 50mm crushed gravel is to be applied to the approach
- 3) All dimensions shown are in meters
- 4) Minimum approach length is from road shoulder to right of way boundary